



# POST CAPS & LED LIGHTING



# TABLE OF CONTENTS

POST CAPS .....	1
LED LIGHTING. ....	4
TRANSFORMERS .....	11





# POST CAPS



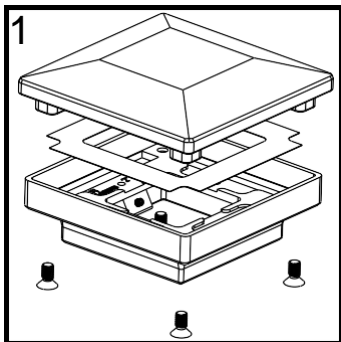
[www.fortressrailing.com](http://www.fortressrailing.com)



## Installation Instructions 2" and 3" Flat Pyramid Caps Installed on Fe<sup>26</sup> or Al<sup>13</sup> Posts

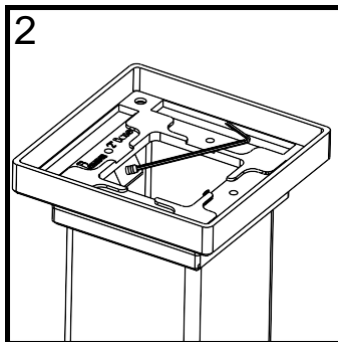
It is the responsibility of the installer to meet all code and safety requirements. The installer should determine and implement the appropriate installation techniques for each situation. The Fortress Company nor its distributors shall not be held liable for improper or unsafe installations.

Required Materials: Phillips Head Screw Driver, Eye Protection



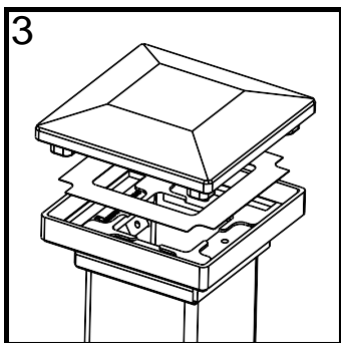
1. The following components are included with the FortressAccents 2" and 3" Flat Pyramid Caps: Post Cap, Post Cap Base, Light Slot Cover, 4 - Machine Screws, 2 - Hex Head Set Screws, and a 2.5mm Hex Wrench.

Remove the 4 Machine Screws, located at each corner. Remove the Post Cap and Light Slot Cover. **Do not discard the screws.** They will be used again.

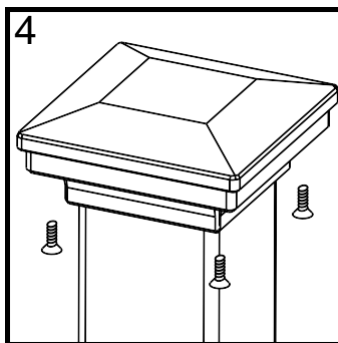


2. Place the Post Cap Base on the post. Using the supplied 2.5mm Allen Wrench tighten the two set screws. Adjust the screws to center and level the Post Cap on the post.

**If installing the optional FortressAccents LED Cap Light Kit, reference those instructions before installing FortressAccents Flat Pyramid Cap.**



3. Place Light Slot Cover back onto Post Cap Base. Position Post Cap onto the Post Cap Base.



4. Secure Post Cap with the 4 Machine Screws that were removed in step 1.

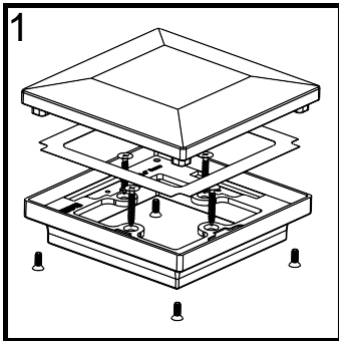


## Installation Instructions

### 3.5", 4", 5" and 6" Flat Pyramid Caps Installed on Wood or Composite Posts

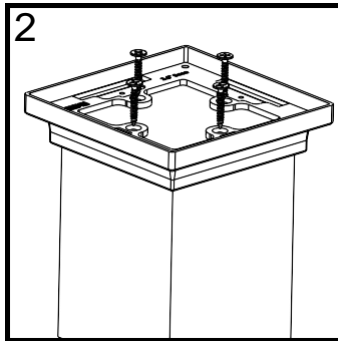
It is the responsibility of the installer to meet all code and safety requirements. The installer should determine and implement the appropriate installation techniques for each situation. The Fortress Company nor its distributors shall not be held liable for improper or unsafe installations.

Required Materials: Phillips Head Screw Driver, Drill, 1/8" Drill Bit, Eye Protection



1. The following components are included with the FortressAccents 3.5", 4", 5", and 6" Flat Pyramid Caps: Post Cap, Post Cap Base, Light Slot Cover, 4 - Machine Screws, and 4 - #10 X 3/4" Wood Screws. Note: 5" and 6" Flat Pyramid Caps include a Composite Adapter with 4 - Pan Head Machine Screws.

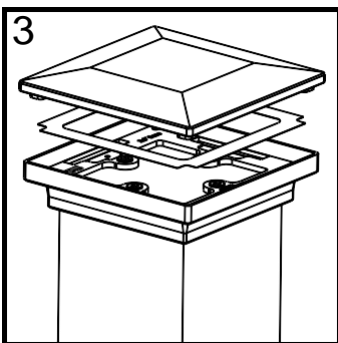
Remove the 4 Machine Screws, located at each corner. Remove the Post Cap and Light Slot Cover. **Do not discard the screws.** They will be used again.



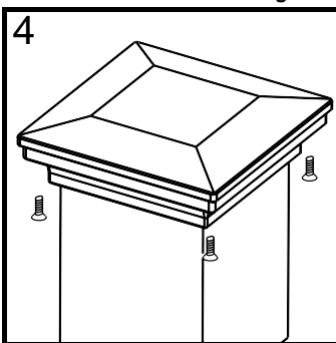
2. Place the Post Cap Base on the post and mark hole locations. Pre-drill holes with a 1/8" drill bit. Using the 4 supplied #10 X 3/4" Wood Screws, attach the Post Cap Base to post.

If the Flat Pyramid Cap is being installed on a vinyl post without a wood post insert, use a silicon adhesive to secure the Post Cap Base.

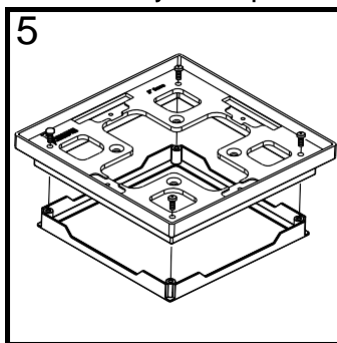
**If installing the optional FortressAccents LED Cap Light Kit, reference those instructions before installing FortressAccents Flat Pyramid Cap.**



3. Place Light Slot Cover back onto Post Cap Base. Position Post Cap onto the Post Cap Base.



4. Secure Post Cap with the 4 Machine Screws that were removed in step 1.



5. If installing FortressAccents 5" or 6" Flat Pyramid Caps, the adapter can be removed to allow cap to fit composite posts up to 5" and rough cut wood posts up to 6-1/8".

For technical assistance, please email: [technicalhelp@fortressrailing.com](mailto:technicalhelp@fortressrailing.com)  
Hours of Operation: Monday through Friday 7:00 AM to 6:00 PM, CST Phone:  
1-844-909-2999 Fax: 972-372-0924  
[www.fortressrailing.com](http://www.fortressrailing.com)



# LED LIGHTING



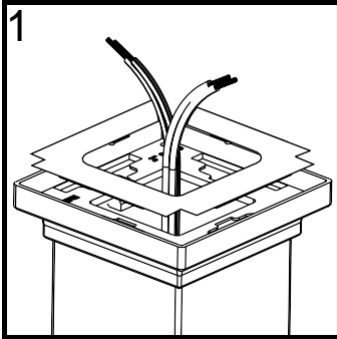


## Installation Instructions FortressAccents LED Cap Light Kit with FortressAccents Post Caps

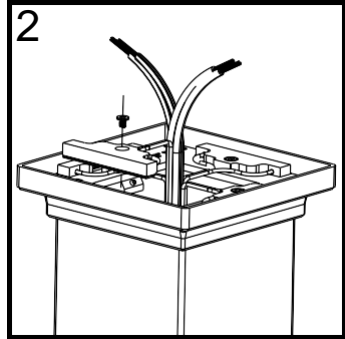
It is the responsibility of the installer to meet all code and safety requirements. The installer should determine and implement the appropriate installation techniques for each situation. The Fortress Company or its distributors shall not be held liable for improper or unsafe installations.

**WARNING – Risk of Electric Shock.** Install all luminaires 10 feet (3.05 m) or more from a pool, spa, or fountain.

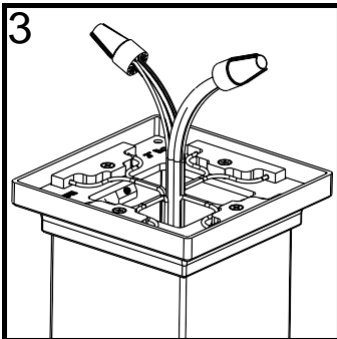
Required Materials: Phillips Head Screw Driver, Wire Cutters, Wire Strippers, Eye Protection



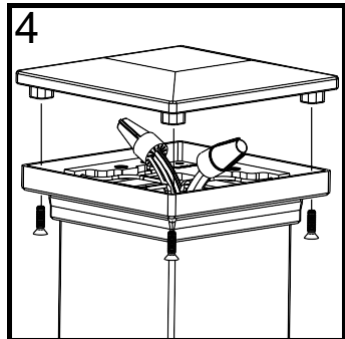
1. Run 18-2 gauge stranded outdoor wire (available from FortressAccents, please visit [www.fortressaccents.com](http://www.fortressaccents.com) for dealer locations) by routing in close proximity to the luminaire or fitting, or next to a building structure such as a house or deck. Wire should not be buried. Install FortressAccents post cap base to post. FortressAccents post cap installation will vary depending on style of post. Remove light plugs from FortressAccents post cap base.



2. Place each LED module into an indentation in the FortressAccents post cap base with the LED's facing down. Secure the LED module with provided screws. You may eliminate the light emitted from any side of the FortressAccents post cap by clipping the wire of the unneeded LED module and wrapping the ends of wire with electrical tape.



3. Strip the wire insulation back  $\frac{1}{2}$ " from the field wiring. Connect wires with provided waterproof wire nuts. Wire connections can also be made below the deck surface. Note: Polarity must be maintained. Always connect the same side of 18-2 gauge wire with the same polarity (i.e. positive) marked on the LED Cap Light Kit.



4. Before installing the post cap, make the connections on all of the LED cap modules you plan to use. Connect the field wiring to the transformer and turn on the lights to verify that the wiring is correct. Install the post cap cover with the provided fasteners.

For technical assistance, please email: [technicalhelp@fortressrailing.com](mailto:technicalhelp@fortressrailing.com)  
Hours of Operation: Monday through Friday 7:00 AM to 6:00 PM, CST Phone:  
1-844-909-2999 Fax: 972-372-0924  
[www.fortressrailing.com](http://www.fortressrailing.com)

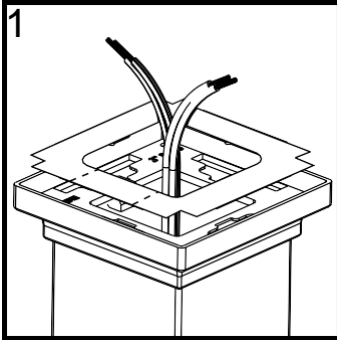


## Installation Instructions FortressAccents LED Cap Light Module with FortressAccents Post Caps

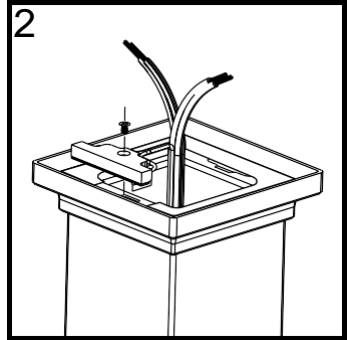
It is the responsibility of the installer to meet all code and safety requirements. The installer should determine and implement the appropriate installation techniques for each situation. The Fortress Company or its distributors shall not be held liable for improper or unsafe installations.

**WARNING – Risk of Electric Shock.** Install all luminaires 10 feet (3.05 m) or more from a pool, spa, or fountain.

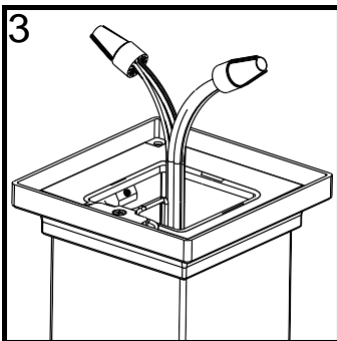
Required Materials: Phillips Head Screw Driver, Wire Cutters, Wire Strippers, Eye Protection



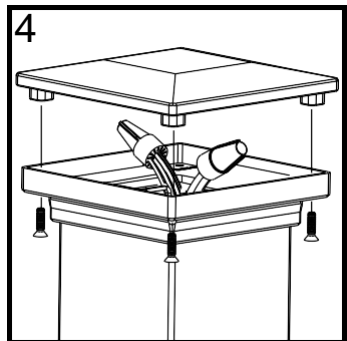
1. Run 18-2 gauge stranded outdoor wire (available from FortressAccents, please visit [www.fortressaccents.com](http://www.fortressaccents.com) for dealer locations) by routing in close proximity to the luminaire or fitting, or next to a building structure such as a house or deck. Wire should not be buried. Install FortressAccents post cap base to post. FortressAccents post cap installation will vary depending on style of post. Remove light plug material where LED cap light module will be installed.



2. Place the LED cap light module into an indentation in the FortressAccents post cap base with the LED's facing down. Secure the LED module with provided screw.



3. Strip the wire insulation back  $\frac{1}{2}$ " from the field wiring. Connect wires with provided waterproof wire nuts. Wire connections can also be made below the deck surface. Note: Polarity must be maintained. Always connect the same side of 18-2 gauge wire with the same polarity (i.e. positive) marked on the LED Cap Light Module.



4. Before installing the post cap, make the connections on the LED cap module. Connect the field wiring to the transformer and turn on the lights to verify that the wiring is correct. Install the post cap cover with the provided fasteners.

For technical assistance, please email: [technicalhelp@fortressrailing.com](mailto:technicalhelp@fortressrailing.com)  
Hours of Operation: Monday through Friday 7:00 AM to 6:00 PM, CST Phone:  
1-844-909-2999 Fax: 972-372-0924  
[www.fortressrailing.com](http://www.fortressrailing.com)





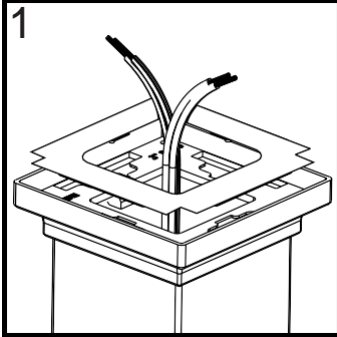
## Installation Instructions

### FortressAccents LED Glow Ring with FortressAccents Post Caps

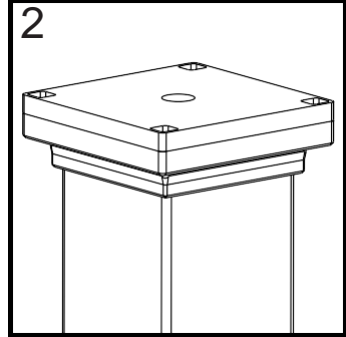
It is the responsibility of the installer to meet all code and safety requirements. The installer should determine and implement the appropriate installation techniques for each situation. The Fortress Company or its distributors shall not be held liable for improper or unsafe installations.

**WARNING – Risk of Electric Shock.** Install all luminaires 10 feet (3.05 m) or more from a pool, spa, or fountain.

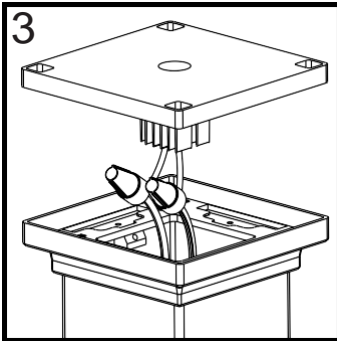
Required Materials: Phillips Head Screw Driver, Wire Cutters, Wire Strippers, Eye Protection



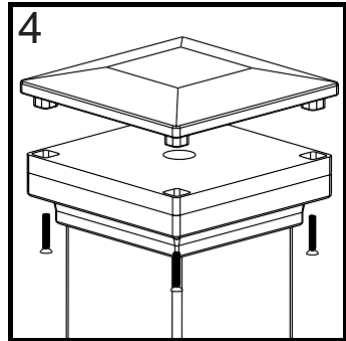
1. Run 18-2 gauge stranded outdoor wire (available from FortressAccents, please visit [www.fortressaccents.com](http://www.fortressaccents.com) for dealer locations) by routing in close proximity to the luminaire or fitting, or next to a building structure such as a house or deck. Wire should not be buried. Install FortressAccents post cap base to post. FortressAccents post cap installation will vary depending on style of post. Remove light plugs from FortressAccents post cap base.



2. Protect edges of LED Glow Ring lens from scratching during installation. Check the fit of LED Glow Ring into the FortressAccents post cap base. Bottom edge of LED Glow Ring lens will sit flat on the top edge of post cap base. If there is a gap, adjust the screws that hold the post cap base to the post to allow for proper fit of LED Glow Ring lens.



3. Remove the LED Glow Ring lens from post cap base. Strip the wire insulation back 1/2" from the field wiring. Connect wires with provided waterproof wire nuts. Wire connections can also be made below the deck surface. Note: Polarity must be maintained. Always connect the same side of 18-2 gauge wire with the same polarity (i.e. positive) marked on the LED Glow Ring.



4. Before installing the post cap, recheck the fit of the LED Glow Ring on to the post cap base. Connect the field wiring to the transformer and turn on the lights to verify that the wiring is correct. Align the post cap screw bosses with the holes located at each corner of the LED Glow Ring Lens. Install the post cap cover with the fasteners provided with the LED Glow Ring.

For technical assistance, please email: [technicalhelp@fortressrailing.com](mailto:technicalhelp@fortressrailing.com)  
Hours of Operation: Monday through Friday 7:00 AM to 6:00 PM, CST Phone:  
1-844-909-2999 Fax: 972-372-0924  
[www.fortressrailing.com](http://www.fortressrailing.com)

## Installation Instructions

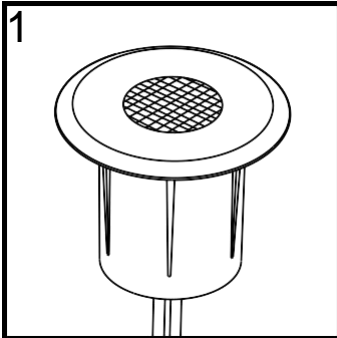
### FortressAccents LED Surface Mount Light

It is the responsibility of the installer to meet all code and safety requirements. The installer should determine and implement the appropriate installation techniques for each situation. The Fortress Company or its distributors shall not be held liable for improper or unsafe installations.

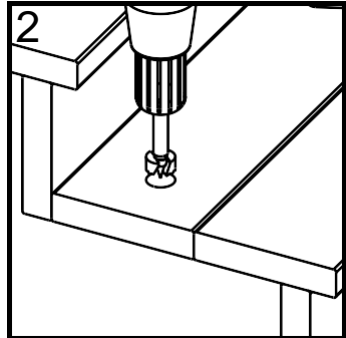
**WARNING – Risk of Electric Shock.** Install all luminaires 10 feet (3.05 m) or more from a pool, spa, or fountain.

**Required Materials:** 1" Forstner Bit, Drill, Wire Cutters, Wire Strippers, Rubber Mallet, Pencil, Eye Protection

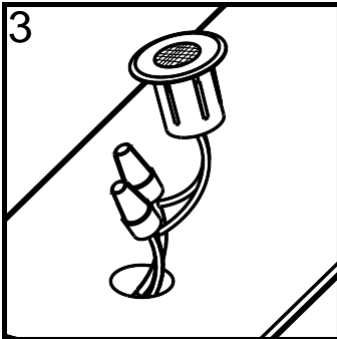
**Installation of LED Surface Mount Light on surfaces with excessive foot traffic is not recommended.**



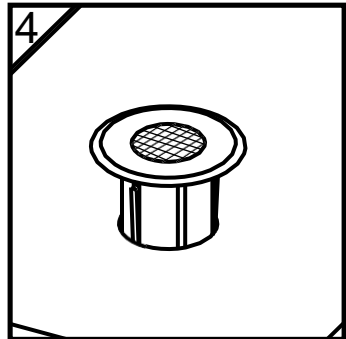
1. Run 18-2 gauge stranded outdoor wire (available from FortressAccents, please visit [www.fortressaccents.com](http://www.fortressaccents.com) for dealer locations) by routing in close proximity to the luminaire or fitting, or next to a building structure such as a house or deck. Wire should not be buried. Place the LED Surface Mount Light in the desired location (LED Surface Mount Light should be placed a minimum of 12" above ground level) with a pencil mark the center point.



2. Drill a 1" hole (Fortress recommends using a 1" Forstner bit available from FortressAccents, please visit [www.fortressaccents.com](http://www.fortressaccents.com) for dealer locations) at the desired location. Avoid locations that fall directly above stringers or other structural elements of the deck and wiring.



3. Strip the insulation back 1/2" from the 18-2 gauge wires and the LED Surface Mount Light LED feed wires. Using the supplied waterproof wire nuts connect the wires. Note: Polarity must be maintained. Always connect the same side of 18-2 gauge wire with the same polarity (i.e. positive) marked on the LED Surface Mount Light wires. LED Surface Mount Light feed wires are 60" long.



4. Feed wires through 1" hole. Insert LED Surface Mount Light into hole. Using a rubber mallet tap the light into the hole until the LED Surface Mount Light flange is flush with the deck surface.

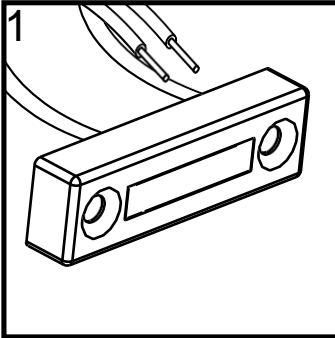
## Installation Instructions

### FortressAccents LED Universal Light

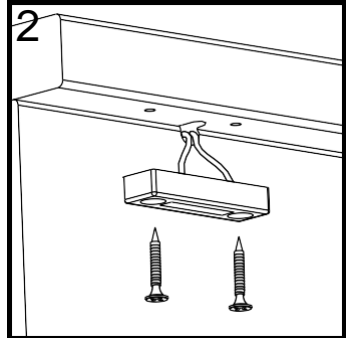
It is the responsibility of the installer to meet all code and safety requirements. The installer should determine and implement the appropriate installation techniques for each situation. The Fortress Company or its distributors shall not be held liable for improper or unsafe installations.

**WARNING – Risk of Electric Shock.** Install all luminaires 10 feet (3.05 m) or more from a pool, spa, or fountain.

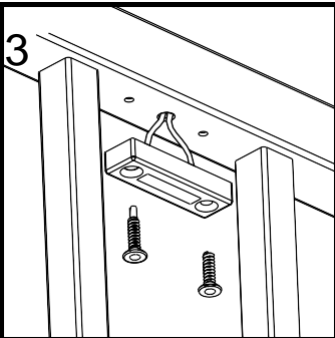
**Required Materials:** Phillips Head Screw Driver, Wire Cutters, Wire Strippers, Drill, Drill Bits, Phillips Bit, T-25 Bit, Pencil, Eye Protection



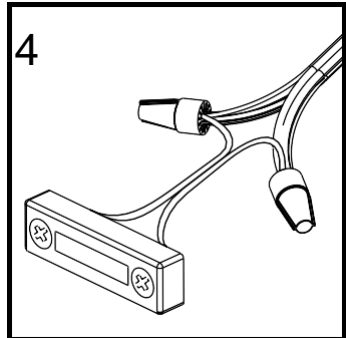
1. Run 18-2 gauge stranded outdoor wire (available from FortressAccents, please visit [www.fortressaccents.com](http://www.fortressaccents.com) for dealer locations) by routing in close proximity to the luminaire or fitting, or next to a building structure such as a house or deck. Wire should not be buried. Place the LED Universal Light in the desired location (LED Universal Light should be placed a minimum of 12" above ground level) with a pencil mark the center points of screw holes. Screw holes are 1-3/4" on center.



2. **Wood and Composite Installations** - When installing LED Universal Light on wood or composite surfaces pre-drill screw holes using a 1/16" drill bit. Using a 3/8" drill bit drill a hole to allow for wires to be routed through the surface. Hole must be placed so that the LED Universal Light housing does not pinch wires. Route wires through hole. Attach the LED Universal Light with supplied wood screws.



3. **Metal Installations** - When installing LED Universal Light on metal surfaces pre-drill screw holes using a 5/32" drill bit. Using a 3/8" drill bit drill a hole to allow for wires to be routed through the surface. Hole must be placed so that the LED Universal Light housing does not pinch wires. Route wires through hole. **For some installations, railing must be disassembled to route wires through railing.** Attach the LED Universal Light with supplied metal screws.



4. Strip the insulation back 1/2" from the 18-2 gauge wires and the LED Universal Light feed wires. Using the supplied waterproof wire nuts connect the wires. Note: Polarity must be maintained. Always connect the same side of 18-2 gauge wire with the same polarity (i.e. positive) marked on the LED Universal Light wires.

For technical assistance, please email: [technicalhelp@fortressrailing.com](mailto:technicalhelp@fortressrailing.com)  
Hours of Operation: Monday through Friday 7:00 AM to 6:00 PM, CST Phone:

1-844-909-2999 Fax: 972-372-0924

[www.fortressrailing.com](http://www.fortressrailing.com)

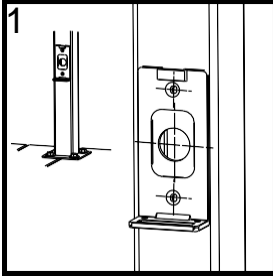


## Installation Instructions FortressAccents LED Vertical Post Light

It is the responsibility of the installer to meet all code and safety requirements. The installer should determine and implement the appropriate installation techniques for each situation. The Fortress Company or its distributors shall not be held liable for improper or unsafe installations.

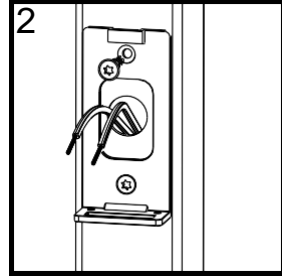
**WARNING – Risk of Electric Shock.** Install all luminaires 10 feet (3.05 m) or more from a pool, spa, or fountain.

**Required Materials:** Phillips Head Screw Driver, Wire Cutters, Wire Strippers, Drill, Drill Bits, T-25 Bit, Pencil, Eye Protection



1. Run 18-2 gauge stranded outdoor wire (available from FortressAccents, please visit [www.fortressaccents.com](http://www.fortressaccents.com) for dealer locations) by routing in close proximity to the luminaire or fitting, or next to a building structure such as a house or deck. Wire should not be buried. Place the LED Vertical Post Light Base on the post at the desired location (LED Vertical Post Light should be placed a minimum of 12" above ground level) with a pencil trace the hole pattern on the post. Mark the center point of the hole pattern and drill a 1" diameter hole in post.

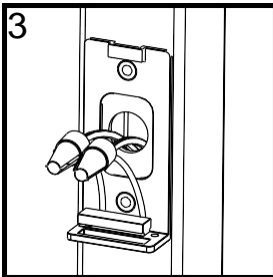
**For wood posts a channel will need to be routed into wood post to hide wires. Be sure to remove any metal shavings from the surface of deck, patio or balcony to prevent rust on the surface.**



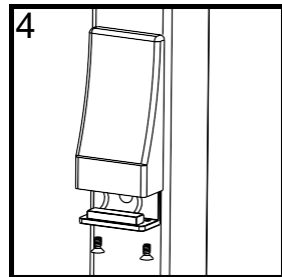
2. **Metal Post Installations** - Pre-drill screw holes using a 5/32" drill bit.

**Wood Post Installations** - Pre-drill screw holes using a 1/16" drill bit.

Attach LED Vertical Post Light Base to post with supplied screws. If 18-2 gauge wire is accessible pull approximately 6" of wire through 1" hole. The LED Vertical Post Light input wires can also be feed through the post to make the connections to the 18-2 gauge wire.



3. Strip the insulation back 1/2" from the 18-2 gauge wires and the LED Vertical Post Light feed wires. Using the supplied waterproof wire nuts connect wires. Wire connections can also be made below the deck surface. Note: Polarity must be maintained. Always connect the same side of 18-2 gauge wire with the same polarity (i.e. positive) marked on the LED Vertical Post Light wires. LED Vertical Post Light feed wires are 60" long.



4. Carefully tuck wires out of the way. Place LED Vertical Post Light Cover over the installed LED Vertical Post Light Base and slide downward until cover is fully in place. Using the two supplied machine screws secure the cover to the base.

For technical assistance, please email: [technicalhelp@fortressrailing.com](mailto:technicalhelp@fortressrailing.com)  
Hours of Operation: Monday through Friday 7:00 AM to 6:00 PM, CST Phone:  
1-844-909-2999 Fax: 972-372-0924



# TRANSFORMERS





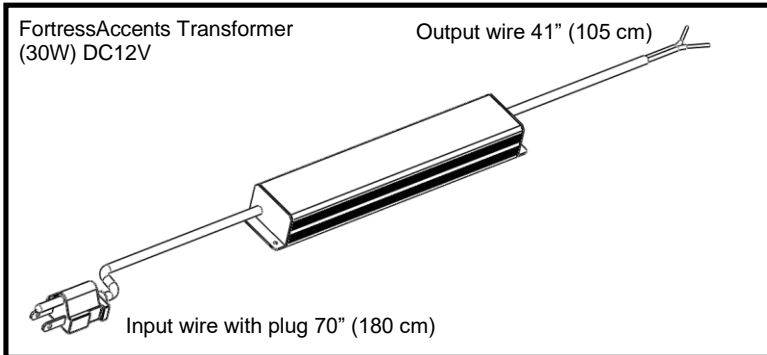
## Installation Instructions FortressAccents 30W Transformer

It is the responsibility of the installer to meet all code and safety requirements. The installer should determine and implement the appropriate installation techniques for each situation. The Fortress Company or its distributors shall not be held liable for improper or unsafe installations.

**WARNING – Risk of Electric Shock.** Install power unit 10 feet (3.05 m) or more from a pool, spa, or fountain. Where the power unit is installed outdoors, connect power unit to a receptacle protected by a GFCI.

- **READ INSTALLATION INSTRUCTIONS BEFORE WIRING**
- **NOT FOR USE WITH DIMMERS**
- **FOR OUTDOOR USE ONLY. MOUNT AT LEAST 12" (30.48 cm) ABOVE GROUND**
- **NOT FOR USE WITH SUBMERSIBLE FIXTURES**
- **DO NOT CONNECT TWO OR MORE TRANSFORMERS IN PARALLEL**

Required Materials: Phillips Head Screw Driver, Wire Cutters, Wire Strippers, Eye Protection, Tape Measure, Power Switch (not included)



Transformer must be installed more than 12" (30.48 cm) above the ground.

Determine the best location for the transformer based on your lighting layout. Transformer should be located as close to the first luminaire as possible. Supplied input wire with plug must be connected to a GFCI protected outlet with a hooded flush type cover plate receptacle marked "Wet Location". **Do not to use an extension cord.**

If no GFCI protected outlet with a hooded flush type cover plate receptacle marked "Wet Location" is available, a licensed electrical contractor must install a GFCI outlet at the required location.

Run 18-2 gauge stranded outdoor wire by routing in close proximity to the luminaire or fitting, or next to a building structure such as a house or deck. Wire should not be buried.

Total Wattage of lights in system should not exceed 30 watts. If additional lights are required a second transformer must be used. **Do not connect two or more transformers in parallel.**



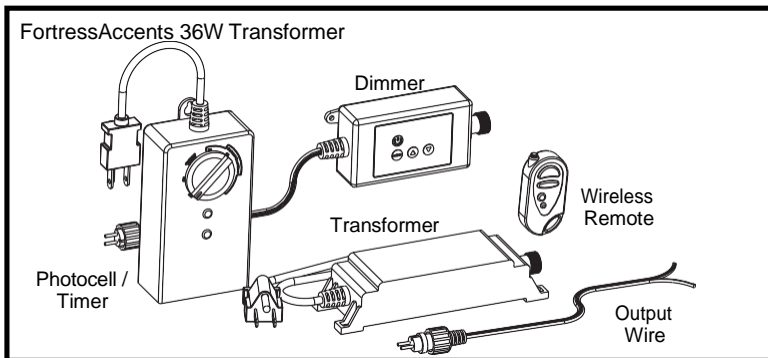
## Installation Instructions 36W Transformer

It is the responsibility of the installer to meet all code and safety requirements. The installer should determine and implement the appropriate installation techniques for each situation. The Fortress Company or its distributors shall not be held liable for improper or unsafe installations.

**WARNING – RISK OF ELECTRIC SHOCK.** Install power unit 10 feet (3.05 m) or more from a pool, spa, or fountain. Where the power unit is installed outdoors, connect power unit to a receptacle protected by a GFCI.

- **READ INSTALLATION INSTRUCTIONS BEFORE WIRING**
- **FOR OUTDOOR USE ONLY. MOUNT AT LEAST 12" (30.48 cm) ABOVE GROUND**
- **NOT FOR USE WITH SUBMERSIBLE FIXTURES**
- **DO NOT CONNECT TWO OR MORE TRANSFORMERS IN PARALLEL**

Required Materials: Phillips Head Screw Driver, Wire Cutters, Wire Strippers, Eye Protection, Tape Measure



Transformer, Photocell / Timer and Dimmer must be installed more than 12" (30.48 cm) above the ground.

Determine the best location for the components based on your lighting layout. Transformer should be located as close to the first luminaire as possible. Supplied input wire with plug must be connected to a GFCI protected outlet with a hooded flush type cover plate receptacle marked "Wet Location". **Do not use an extension cord.**

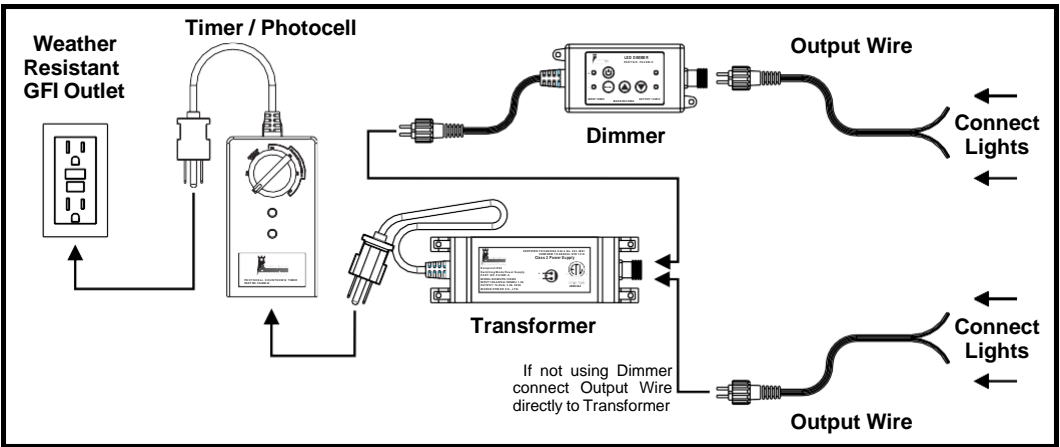
If no GFCI protected outlet with a hooded flush type cover plate receptacle marked "Wet Location" is available, a licensed electrical contractor must install a GFCI outlet at the required location.

Mount Photocell / Timer to wall or other solid surface with supplied screw. Photocell should be mounted in a shade free location. Be sure not to mount photocell / Timer in a location that is influenced by nighttime lighting. Placement of photocell can be adjusted until the system comes on at the desired light level.

Run 18-2 gauge stranded outdoor wire by routing in close proximity to the luminaire or fitting, or next to a building structure such as a house or deck. Wire should not be buried.

Total wattage of lights in system should not exceed 36 watts. The 36 watts of lights in the system can be wired to one output wire or split between the two output wires. If additional lights are required a second transformer must be used. **Do not connect two or more transformers in parallel.**

## Installation of Components



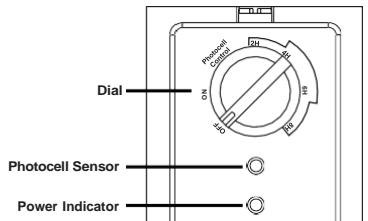
## Installation of Components

- Install weather resistant GFI outlet in a location that allows Photocell / Timer to have access to sunlight.
- Install Photocell / Timer to a vertical surface with supplied wood screw. Photocell / Timer must be plugged directly into the GFI Outlet.
- Install Transformer within 65" of the Photocell / Transformer with the 4 supplied wood screws. Transformer should be plugged directly into the Photocell / Timer.
- If Dimmer is not going to be used, screw the Output Wire directly into the Transformer.
- If Dimmer is used, install the Dimmer within 12" of the Transformer with the 2 supplied wood screws and screw the Input Wire of the Dimmer directly into the Transformer.
- Using the supplied Waterproof Wire Nuts connect 18-2 Wire the Output Wire. **Polarity Must Be Maintained.**

### Timer / Photocell

Photocell / Timer must be positioned so that photocell sensor has access to sunlight. It should not be positioned next to artificial light sources.

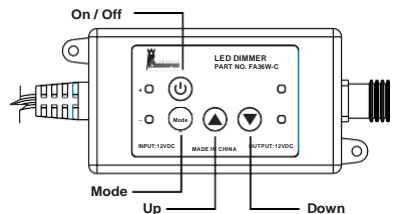
- For continuous operation of lights turn dial to "ON"
- For Dusk to Dawn operation turn dial to "Photocell Control"
- For Photocell Countdown select the time "2H", "4H", "6H" or "8H". Lights will come on when photocell sensor detects low light and stay on the specified amount of time.



### Dimmer

The touch pad on the Dimmer controls the light output of the Fortress Accents LED Lighting installation.

- Turns System On / Off.
- Allows user to select between 4 preset levels of light output.
- Allows the light output to be adjusted up or down.



### Wireless Remote

The Wireless Remote provides the user with same control as the touch pad on the Dimmer. of the light output of the Fortress Accents LED Lighting installation. Wireless Remote is 30 feet from receiver.

- Turns System On / Off.
- Allows user to select between 4 preset levels of light output.
- Allows the light output to be adjusted up or down.

